



DR5254

DR5254 is the main equipment of the intelligent networking terminals, which is connected to the gateway through a network cable in the uplink and then provides users with high-speed network extension service through wired and wireless methods in the downlink. It adopts the high-powered CPU to ensure the fast and stable operation of the system. It has 1 GE WAN port, 2 GE LAN ports, and 4 built-in omni-directional antennas, supports a new generation of IEEE802.11a/n/ac,5GHz and IEEE802.11b/g/n,2.4GHz wireless technology, and provides wider 2.4GHz coverage and more efficient 5GHz transmission. The total dual-band concurrent bandwidth is up to 1167Mbps, which enables the users surf the internet faster and smoother.

DR5254



Highlights >>

- | | |
|---|---|
| Elegant appearance | Be suitable for desktop layout; support 4 built-in antennas |
| High-speed full-gigabit networks | Upgrade the bandwidth just in one step; adopt full-gigabit network port design, 1 gigabit WAN port, and 2 gigabit LAN ports. The Wi-Fi maximum rate can reach 1167Mbps. |
| High-performance antenna | 4 built-in high-performance antennas to achieve the omni-directional family coverage; 2.4GHz one with strong wall penetration and wide coverage, while 5GHz one with low latency and high rate. |
| WAN/LAN auto-adaptor | With the support of the automatic identify the network port technology, you can plug in the 3 Gig ethernet ports as you like, and there will be auto-recognized uplink/downlink port no errors. |
| IPv6 | All-round upgrade to support IPv6 (compatible with IPv4), more addresses, more secure. |
| Band-steering | Combined the 2.4GHz and 5GHz to a same one SSID, intelligent automatically connects the users' devices to the faster frequency. |
| Easy Setup | Easy setup in 3 steps with Smart Phone, easy to use. |

International Headquarters

Raisecom Building, East-11, No.10 Xibeiwang East Road,
Haidian District, Beijing, P.R.China, 100193
Tel: +86 10 8288 3305
Fax: +86 10 8288 3056
www.raisecom.com

USA HEADQUARTERS

6380 N Eldridge Parkway
Houston Texas 77401
Tel: +1 888 8164808 ext 201

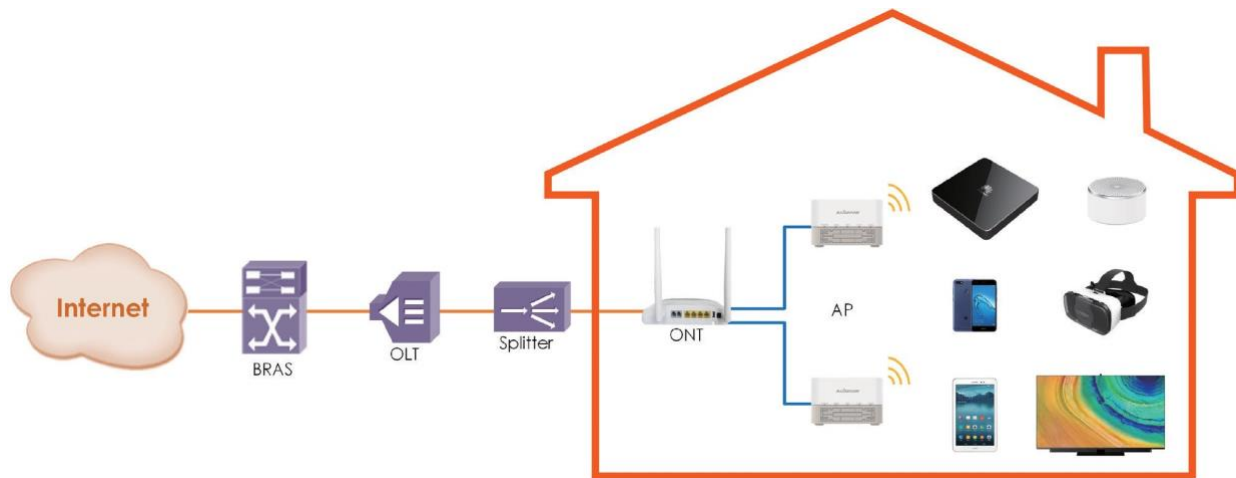
Raisecom Technology Co., Ltd.

Copyright@1999-2018
All rights reserved
Technical information is subjected to
change without notice



Application >>

Figure.1 Wi-Fi Full Coverage in Smart Home Ecosystem.



Key Features >>

Physical features

- CPU: Dual core 900MHz
- Memory: 128Mbytes DDR3
- Flash: 128Mbytes NOR FLASH

GE interface

- 10/100/1000Base-T RJ-45 Ethernet interface auto-negotiation
- MDI/MDIX auto-detection

WLAN interface

- IEEE802.11 b/g/n and IEEE802.11ac
- 2.4GHz & 5GHz dual-band
- MU-MIMO: 2x2 2.4GHz & 2x2 5GHz
- Wi-Fi encryption: 4-bit and 128-bit WEP, AES, TKIP, TKIP-AES
- Wi-Fi authentication: WPA-PSK, WPA2-PSK
- Qos: WMM, bandwidth control
- Multiple SSIDs
- Wi-Fi access control based on MAC, Accept/Reject list
- Guest WiFi

IP features

- Work mode: bridge mode, router mode
- WAN IP: DHCP client, PPPoE, static IP

International Headquarters

Raisecom Building, East-11, No.10 Xibeiwang East Road,
Haidian District, Beijing, P.R.China, 100193

Tel: +86 10 8288 3305

Fax: +86 10 8288 3056

www.raisecom.com

USA HEADQUARTERS

6380 N Eldridge Parkway
Houston Texas 77401

Tel: +1 888 8164808 ext 201

Raisecom Technology Co., Ltd.

Copyright@1999-2018

All rights reserved

Technical information is subjected to
change without notice



	<input type="checkbox"/>	DHCP server
	<input type="checkbox"/>	IPv4/IPv6 dual stack
	<input type="checkbox"/>	IPv4 NAT
	<input type="checkbox"/>	DNS client, DNS relay
IGMP	<input type="checkbox"/>	IGMP snooping
	<input type="checkbox"/>	IGMP proxy
Security	<input type="checkbox"/>	Firewall
	<input type="checkbox"/>	NAT port mapping virtue server
	<input type="checkbox"/>	Parental Control: internet time control; Accept/Reject list, URL list*
Maintenance and Management	<input type="checkbox"/>	Managed via web, support Chrome, Firefox browser etc.
	<input type="checkbox"/>	Factory reset
	<input type="checkbox"/>	Log management
	<input type="checkbox"/>	Network diagnose: ping, traceroute

*Can be support on phase 2

*Can be support on phase 2

Specifications >>

Physical Interface	Uplink: 1 GE (RJ45) Downlink: 2 GE (RJ45) + 2.4GHz & 5GHz dual-band Wi-Fi
Power Adapter	Input: 100–240 VAC (50/60 Hz) Output: 12 VDC, 1 A
Power consumption	Full load: < 10W
Use Conditions	Operating temp: 0~40°C Storage temp: -40~70°C Humidity: 10~90% non-condensing
Dimensions	105 (L) × 105 (W) × 66 (H) mm
Weight	≤ 0.20Kg

International Headquarters

Raisecom Building, East-11, No.10 Xibeiwang East Road,
Haidian District, Beijing, P.R.China, 100193
Tel: +86 10 8288 3305
Fax: +86 10 8288 3056
www.raisecom.com

USA HEADQUARTERS

6380 N Eldridge Parkway
Houston Texas 77401
Tel: +1 888 8164808 ext 201

Raisecom Technology Co., Ltd.

Copyright@1999-2018
All rights reserved
Technical information is subjected to
change without notice



Ordering Information >>

DR5254	Wi-Fi router with 1 GE uplink (RJ45), 2 GE (RJ45), Dual-band IEEE802.11a/n/ac,5GHz and IEEE802.11b/g/n,2.4GHz (MU-MIMO 2*2) Wi-Fi * The router can be ordered with European and American or Brazilian power adaptor
--------	--

International Headquarters

Raisecom Building, East-11, No.10 Xibeiwang East Road,
Haidian District, Beijing, P.R.China, 100193

Tel: +86 10 8288 3305

Fax: +86 10 8288 3056

www.raisecom.com

USA HEADQUARTERS

6380 N Eldridge Parkway
Houston Texas 77401

Tel: +1 888 8164808 ext 201

Raisecom Technology Co., Ltd.

Copyright@1999-2018

All rights reserved

Technical information is subjected to
change without notice